



# Specification Information

**Product Code:** 614-S

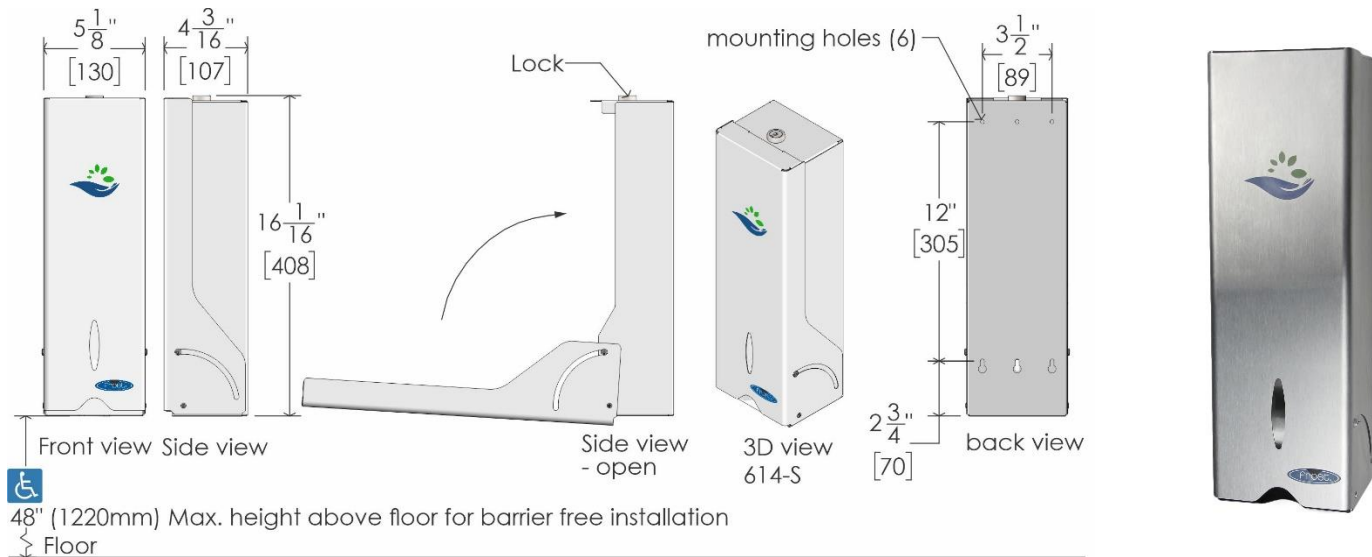
**Product Name:** Surface Mounted Free Retail Feminine Napkin Dispenser

**Individual Carton UPC:** 624622614041

**Individual Carton Shipping Dimensions:** 41.9cm W x 15.0cm H x 13.0cm D (16.5" W x 5.9"H x 5.1" D)

**Individual Carton Shipping Weight:** 1.7kg (3.7 lbs)

**Site Location:** Frost's 614-S free retail feminine napkin dispenser is sleek and practical. This product securely holds retail (non-commercially boxed) feminine napkins in various sizes. This surface mounted dispenser provides easy flexible mounting on any type of wall material or construction. Typically, these products are used in schools, office buildings, recreational facilities, and other commercial properties. The user-friendly functionality and professional appearance of this unit makes it a popular choice.



## Features:

- Canadian made with sturdy 22 gauge stainless steel
- Friendly radius corners
- View window allows users to see when there are approximately 20 units remaining
- Integrated door stop provides quick access and easy loading
- Provision for both two and four screw mounting
- Dispenses retail feminine napkins free of charge

**Dispensing:** Frost code 614 is designed to dispense free retail napkins. These are non-commercially boxed individual napkins; the type often purchased through pharmacies or grocery stores. The maximum individual pad size for this unit to operate correctly is 4.75" wide x 4" deep x 0.75" in thickness. To operate this unit, manually pull the retail napkins out of the bottom slot. To refill this unit, use the provided key to open the top and manually insert the desired products in the empty slot.

## Capacity:

- 50-70 retail napkins depending on the thickness and brand of the product. The maximum individual pad size for this unit to operate correctly is 4.75" wide x 4" deep x 0.75" in thickness.

## Materials:

- All welded 22 gauge stainless steel

Frost Products Ltd

5276 John Lucas Drive

Burlington, ON, Canada, L7L5Z9

(905) 332-5700

1-800 667-5094

info@frostproductsltd.com

www.frostproductsltd.com



# Specification Information

- Type 304 brushed finish

## Product Dimensions:

- 13.0cm W x 40.8cm H 10.6cm D (5.1" W x 16" H x 4.2" D)

## Product Weight:

- 1.5kg (3.3 lbs)

**Installation Guidelines:** Using the appropriate tools for installation, drill mounting holes as required and attached the unit into desired surface. The unit can be mounted with two or four screws. For barrier free mounting ensure that the napkin slot does not exceed 48" (121.9 cm) above floor level. Please note that it is recommended that all installations be conducted by a qualified tradesperson. Failure to do so may result in serious injury or death.

**Maintenance:** Normal preventative maintenance and cleaning will keep Frost products functioning properly and may extend normal product life. Products should be wiped down with a damp soft cloth periodically. Approved stainless steel cleaner may be used to clean scuffs or fingerprints on stainless surfaces. Do not use harsh detergents or chemical cleaners. For general dirt and blemishes on painted steel or plastic use warm water and mild soap, or a general mild cleaning solution. When using any type of cleaning solution, spray onto a discrete area to test before full usage. After the cleaning agent is applied, wipe off with a clean soft cloth or sponge. For stainless steel please do not spray with any product containing bleach, acids, or chlorides, which can be found in many cleaning products such as toilet bowl cleaners. Use of these cleaning solutions may cause discolouration and if used for prolonged periods of time they can eat away at points in the stainless steel. If discolouration occurs, the use of an approved stainless steel cleaner and a firmer scrub pad, such as a Scotch Brite Pad #7447, may remove the markings. Wipe away any debris from the area and gently rub with the pad. Then spray the area with a stainless steel cleaner/polish and rinse and dry. Always wipe with the grain direction for stainless steel products. If a cleaning agent has begun to eat away at the steel on a unit then the unit will likely need to be replaced. The stainless steel that Frost Products uses is of high quality and stainless steel is resistant to rust. However, discolouration that appears to be rust can be caused by cleaning solutions and soaps mentioned above. It is important to discontinue use of any cleaning agent or soap if discolouration begins to occur. Clean off the discolouration as quickly as possible to avoid any permanent damage to the unit. Maintenance staff should be taught how to recognize the signs that they are not using the appropriate cleaning products and how to correctly maintain stainless steel items.

**Warranty:** If any product or part proves to be defective within 12 months from date of shipment from the factory it will be repaired or replaced without any charge including freight costs when authorized. Costs resulting from the installation or removal of defective products are not covered under this warranty. Discolouration to stainless steel parts resulting from exposure to harsh environmental and / or chemicals are not considered to be defects in workmanship or material and are not covered under warranty.